

26. Clutch Housing

A: REMOVAL

- 1) Remove the manual transmission assembly from vehicle. <Ref. to 6MT-35, REMOVAL, Manual Transmission Assembly.>
- 2) Prepare the transmission for overhaul. <Ref. to 6MT-40, Preparation for Overhaul.>
- 3) Remove the oil pipe, neutral position switch, back-up light switch and harness. <Ref. to 6MT-42, REMOVAL, Oil Pipe.>, <Ref. to 6MT-45, REMOVAL, Neutral Position Switch.>, <Ref. to 6MT-43, REMOVAL, Back-up Light Switch.>
- 4) Remove the extension case. <Ref. to 6MT-47, REMOVAL, Extension Case.>
- 5) Remove the transfer driven gear. <Ref. to 6MT-58, REMOVAL, Transfer Driven Gear.>
- 6) Remove the center differential. <Ref. to 6MT-60, REMOVAL, Center Differential.>
- 7) Remove the oil pump. <Ref. to 6MT-61, REMOVAL, Oil Pump.>
- 8) Remove the transmission case. <Ref. to 6MT-65, REMOVAL, Transmission Case.>
- 9) Remove each gear assembly. <Ref. to 6MT-70, REMOVAL, Main Shaft Assembly.>
- 10) Remove the drive pinion shaft assembly. <Ref. to 6MT-97, REMOVAL, Drive Pinion Shaft Assembly.>
- 11) Remove the front differential assembly. <Ref. to 6MT-103, REMOVAL, Front Differential Assembly.>
- 12) Remove the vehicle speed sensor. <Ref. to 6MT-32, REMOVAL, Vehicle Speed Sensor.>
- 13) Remove the speedometer gear. <Ref. to 6MT-110, REMOVAL, Speedometer Gear.>

B: INSTALLATION

- 1) Install the pitching stopper bracket.

Tightening torque:

41 N·m (4.2 kgf-m, 30.2 ft-lb)

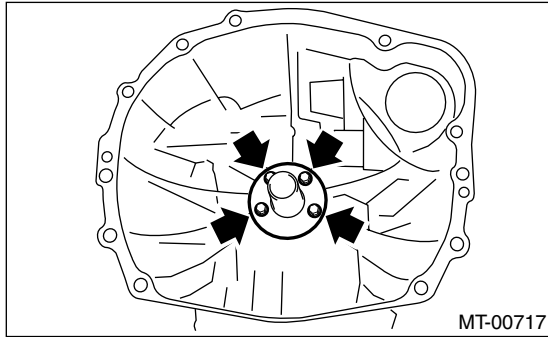
- 2) Install the speedometer gear. <Ref. to 6MT-110, INSTALLATION, Speedometer Gear.>
- 3) Install the vehicle speed sensor. <Ref. to 6MT-32, INSTALLATION, Vehicle Speed Sensor.>
- 4) Install the front differential assembly. <Ref. to 6MT-104, INSTALLATION, Front Differential Assembly.>
- 5) Install the drive pinion shaft assembly. <Ref. to 6MT-97, INSTALLATION, Drive Pinion Shaft Assembly.>
- 6) Install each gear assembly at once. <Ref. to 6MT-71, INSTALLATION, Main Shaft Assembly.>
- 7) Install the transmission case. <Ref. to 6MT-66, INSTALLATION, Transmission Case.>
- 8) Install the oil pump. <Ref. to 6MT-62, INSTALLATION, Oil Pump.>
- 9) Install the center differential. <Ref. to 6MT-60, INSTALLATION, Center Differential.>
- 10) Install the transfer driven gear. <Ref. to 6MT-58, INSTALLATION, Transfer Driven Gear.>
- 11) Install the extension case. <Ref. to 6MT-47, INSTALLATION, Extension Case.>
- 12) Install the oil pipe, neutral position switch, back-up light switch and harness. <Ref. to 6MT-42, INSTALLATION, Oil Pipe.>, <Ref. to 6MT-45, INSTALLATION, Neutral Position Switch.>, <Ref. to 6MT-43, INSTALLATION, Back-up Light Switch.>
- 13) Install the manual transmission assembly to vehicle. <Ref. to 6MT-37, INSTALLATION, Manual Transmission Assembly.>

CLUTCH HOUSING

MANUAL TRANSMISSION AND DIFFERENTIAL

C: DISASSEMBLY

1) Remove the clutch release bearing guide.

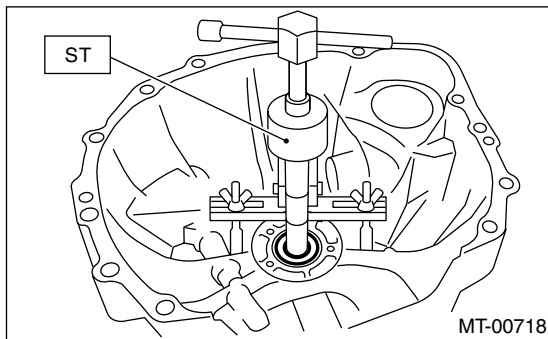


2) Remove the oil seal.

ST 398527700 PULLER ASSY

NOTE:

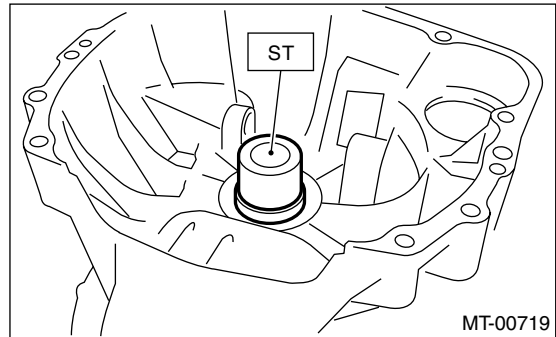
Do not reuse the oil seal.



D: ASSEMBLY

1) Install the oil seal into clutch housing without damaging.

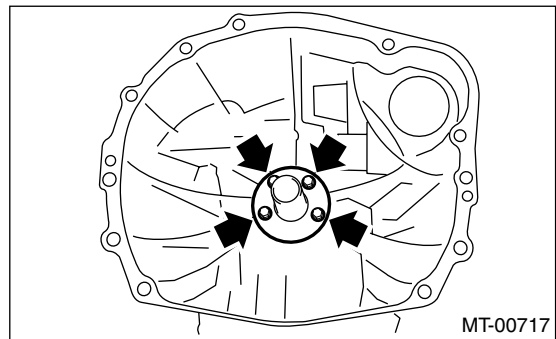
ST 399513600 INSTALLER



2) Install the clutch release bearing guide.

Tightening torque:

6.4 N·m (0.65 kgf-m, 4.7 ft-lb)



E: INSPECTION

1) Make sure there is no damage or crack on the clutch housing. Replace the clutch housing with a new one if there is excessive damage.

2) Check the clutch housing for gear oil leakage. If there is oil leakage, repair or replace the leakage part.